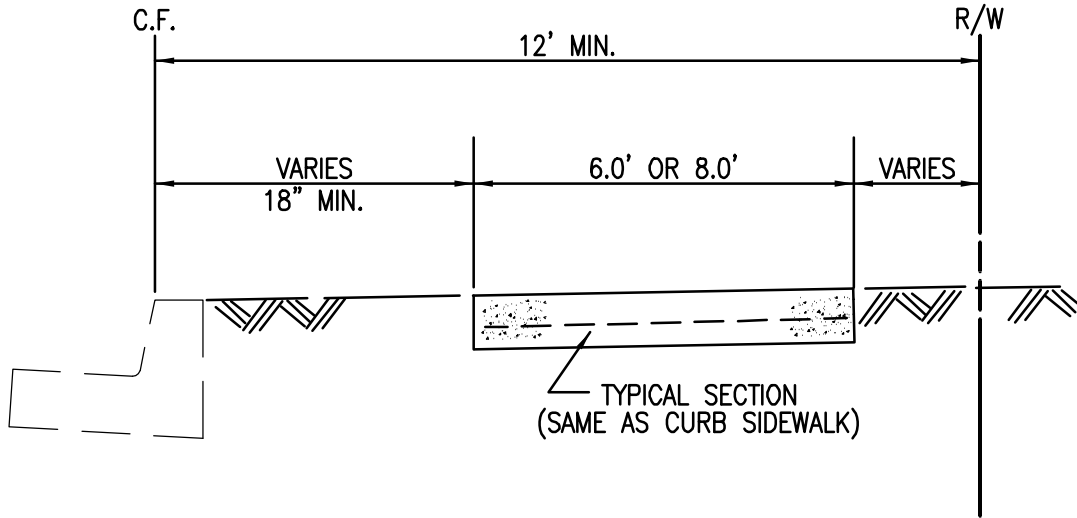


CURB - SIDEWALK



MEANDERING - SIDEWALK

NOTES:

1. ALL CONCRETE SHALL BE 560-C-3250.
2. DIMENSIONS ON MEANDERING SIDEWALK AS SPECIFIED ON APPROVED LANDSCAPE PLANS.
3. ALL SIDEWALKS SHALL BE A MINIMUM THICKNESS OF 4".
4. SPECIFIC CONSTRUCTION DETAILS SHALL BE PER CURRENT EDITION OF STANDARD SPECIFICATIONS FOR PUBLIC WORKS CONSTRUCTION MANUAL.
5. EXPANSION PAPERS & WEAKENED PLANE JOINTS TO MATCH CURB & GUTTER.
6. SEE ALSO STD. DRAWING NO. 310-1.

DATE: SEPT. 2001

Signature on File
CITY ENGINEER

SIDEWALK

DEPARTMENT OF PUBLIC WORKS CITY OF PALM DESERT

SCALE: NONE

STD DRAWING NO.
104