

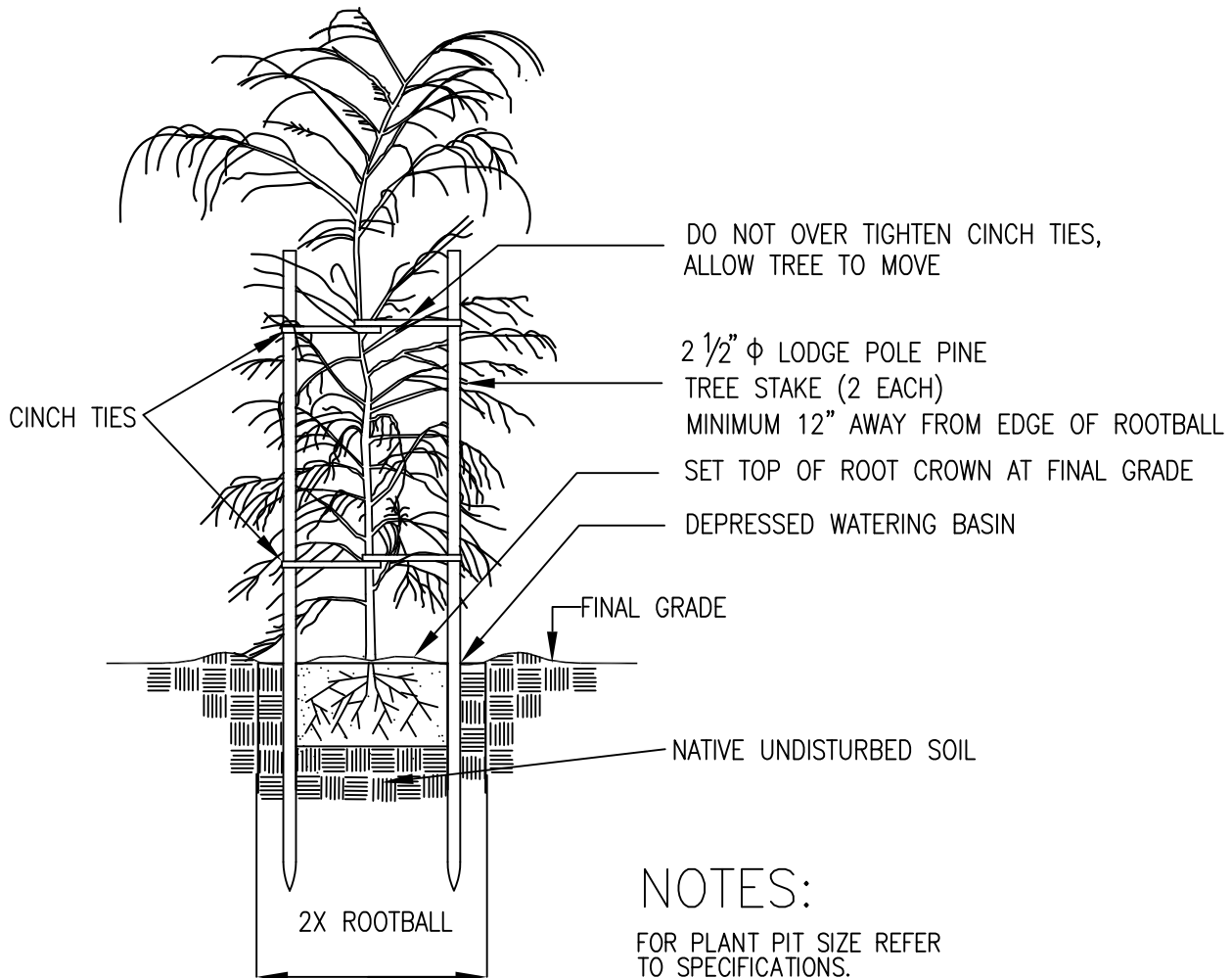


CITY OF PALM DESERT

DEPARTMENT OF PUBLIC WORKS
73-510 Fred Waring Drive
Palm Desert, CA 92260-2578
Tel: (760) 346-0611

LANDSCAPE DRAWINGS

- 001 - TREE INSTALLATION
- 002 - SHRUB INSTALLATION
- 003 - PALM TREE INSTALLATION
- 004 - ESPALIER DETAIL
- 005 - BOULDER INSTALLATION
- 006 - MOUNDING DETAIL
- 007 - COBBLESTONE MEDIAN DETAIL
- 008 - MEDIAN GRADING DETAIL
- 009 - BOULDER PLACEMENT (MEDIAN)
- 010 - PALM/TREE IRRIGATION DETAIL
- 011 - TRENCHING DETAIL
- 012 - CONTROLLER W/ENCLOSURE
- 013 - ALL LIGHT IRRIGATION CONTROLLER
- 014 - MASTER VALVE ASSEMBLY DETAIL
- 015 - BALL VALVE ASSEMBLY DETAIL
- 016 - END FLUSH VALVE DETAIL
- 017 - QUICK COUPLING VALVE
- 018 - ELEC. CONTROL VALVE (DRIP)
- 019 - ELEC. CONTROL VALVE (TURF)
- 020 - TYPICAL ELECTRIC CONTROL VALVE
- 021 - TYPICAL XERIGATION CONTROL VALVE
- 022 - ROTOR HEAD DETAIL
- 023 - TURF SPRAY DETAIL
- 024 - BUBBLER/EMITTER DETAIL
- 025 - DRIP EMITTER DETAIL
- 026 - DRIP ZONE DETAIL
- 027 - TREE EMITTER



NOTES:

FOR PLANT PIT SIZE REFER TO SPECIFICATIONS.

IN TURF AREAS LEAVE A BARE AREA APPROX. 16" AWAY FROM TREE BASE IN ALL DIRECTIONS

APPLY 1" THICK LAYER OF DECOMPOSED GRANITE ON TOP OF ROOT BALL

STAKE SINGLE TRUNK TREES IF NEEDED DO NOT STAKE MULTI TRUNK TREES

FORM 3" BERM TO CREATE TEMPORARY WATERING BASIN (USE WITH BUBBLER IRRIGATION ONLY)

DATE: MARCH 2008

TREE INSTALLATION

SCALE: NONE

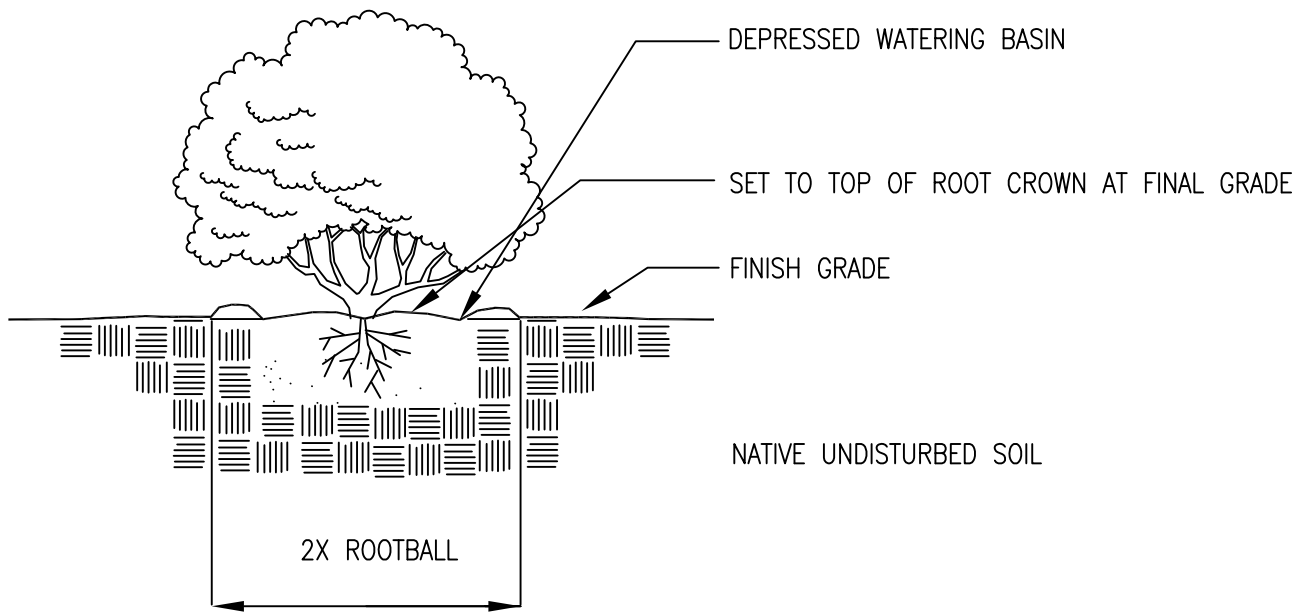
Signature on File
LANDSCAPE MGR.

LANDSCAPE DIVISION

CITY OF PALM DESERT

PLT DRAWING NO.

001



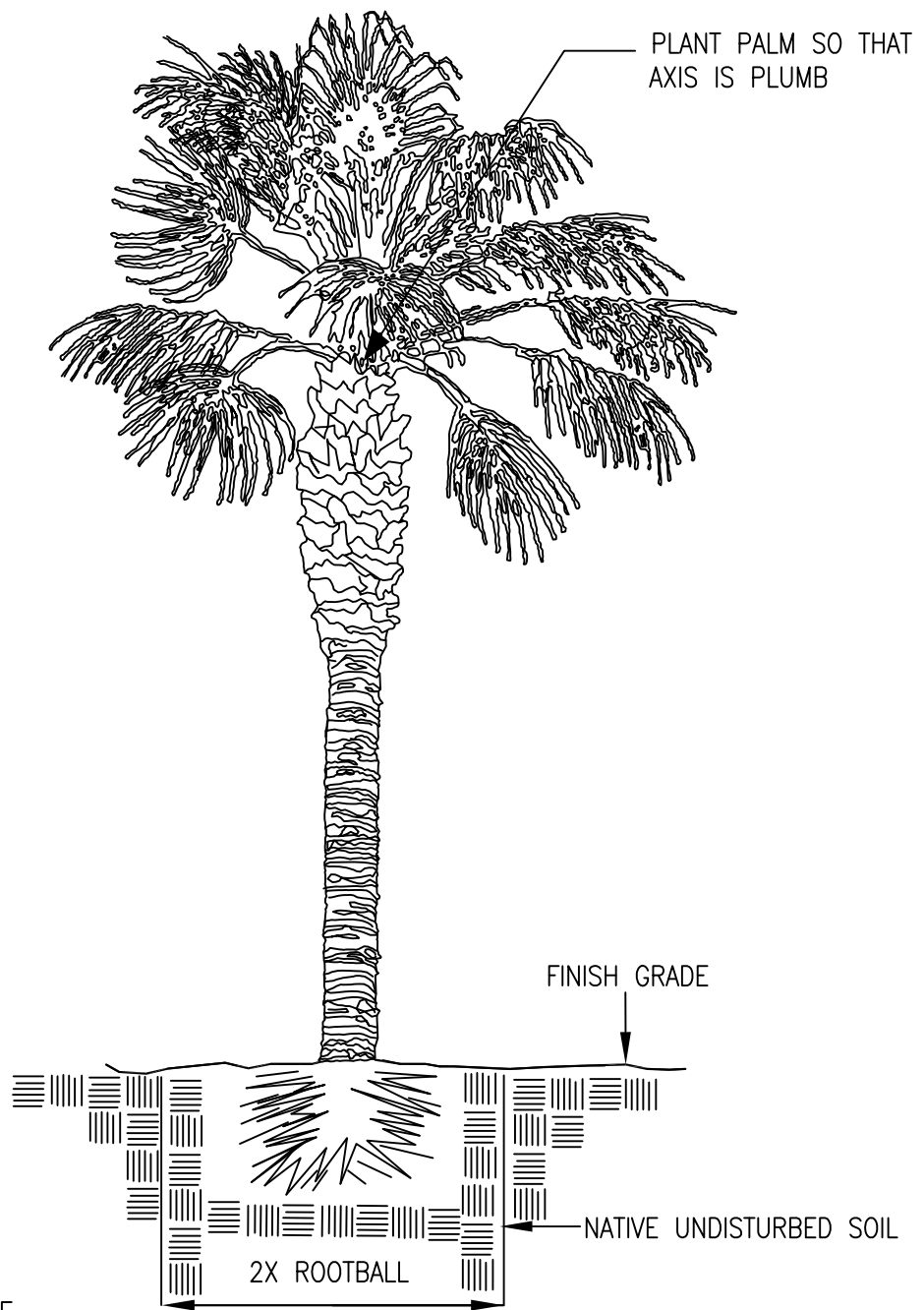
NOTES:

PLANT SHRUBS MINIMUM OF 3' FROM CURB IN MEDIANS, 3' FROM CURB/SIDEWALKS IN PARKWAYS OR AS NOTED ON PLANS

APPLY 1" THICK LAYER OF DECOMPOSED GRANITE ON TOP OF ROOT BALL

FORM 3" BERM TO CREATE TEMPORARY WATERING BASIN (USE WITH BUBBLER IRRIGATION ONLY)

DATE: MARCH 2008	SHRUB INSTALLATION	SCALE: NONE
Signature on File LANDSCAPE MGR.		LANDSCAPE DIVISION CITY OF PALM DESERT



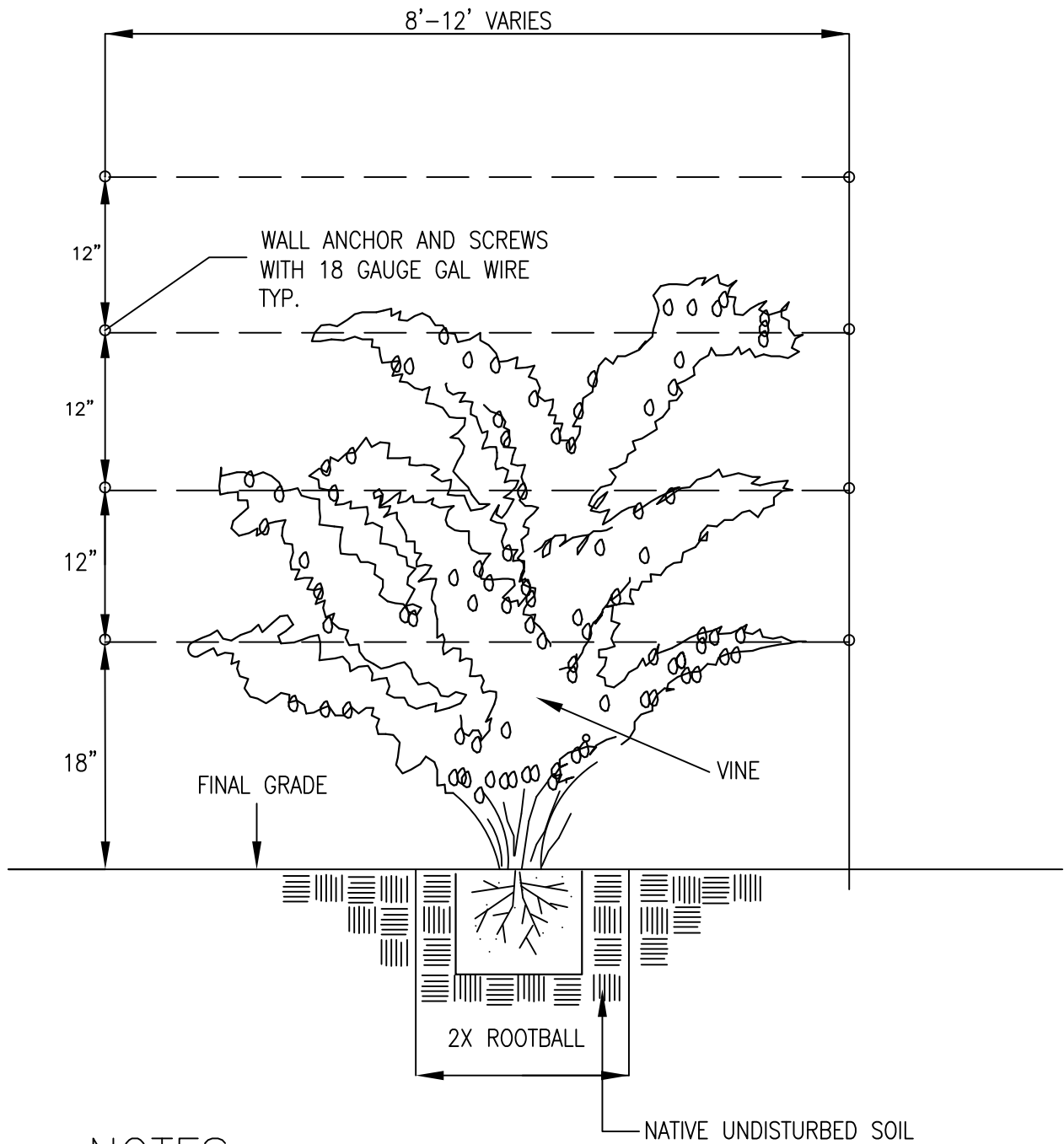
NOTES:

TAMP & WATER-SETTLE
WHILE PLANTING

TOP OF ROOT BALL
NOT TO BE LOWER THAN FINISH GRADE

APPLY 1" THICK LAYER OF
DECOMPOSED GRANITE
ON TOP OF ROOT BALL

DATE: <u>MARCH 2008</u>	PALM TREE INSTALLATION	SCALE: <u>NONE</u>
Signature on File <u>LANDSCAPE MGR.</u>		LANDSCAPE DIVISION CITY OF PALM DESERT



NOTES:
 APPLY 1" THICK LAYER OF
 DECOMPOSED GRANITE
 ON TOP OF ROOT BALL

DATE: MARCH 2008

ESPALIER DETAIL

SCALE: NONE

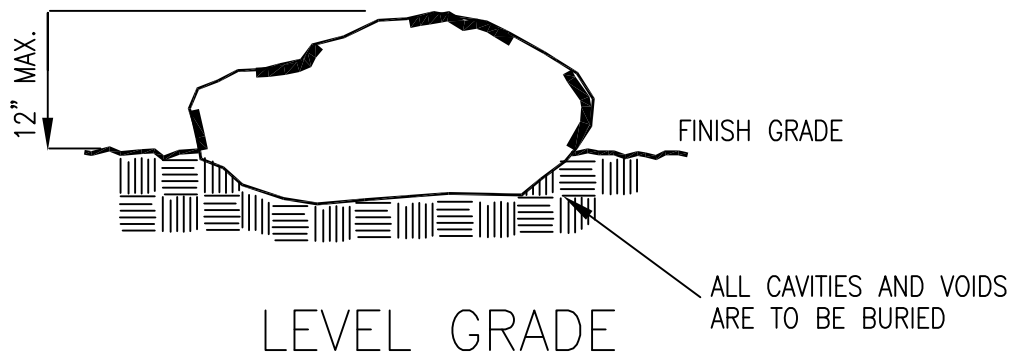
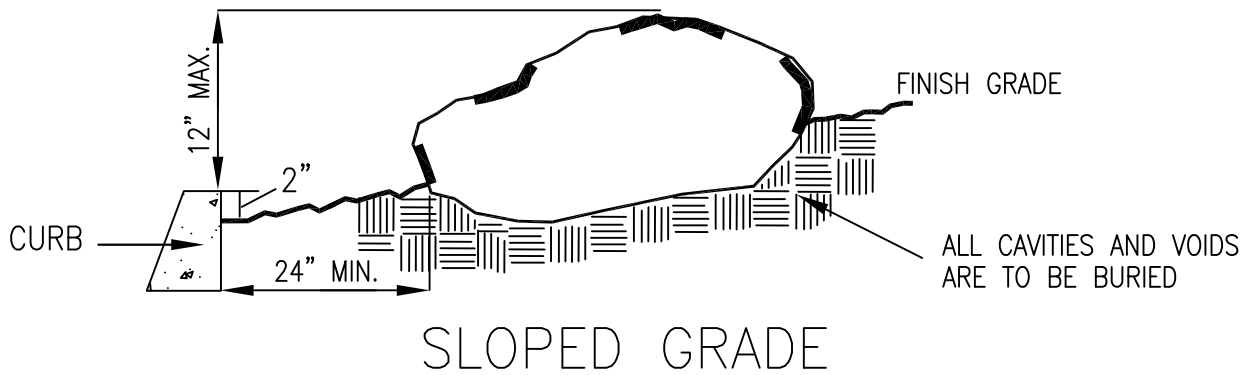
Signature on File
 LANDSCAPE MGR.

LANDSCAPE DIVISION

CITY OF PALM DESERT

PLT DRAWING NO.

004



NOTES:

ALL MEDIAN BOULDERS TO BE BURIED
 A MINIMUM 1/3 NOT TO EXCEED 12"
 FROM TOP OF CURB

ALL BOULDERS TO BE A MINIMUM 24"
 FROM CURB/HARDSCAPE UNLESS NOTED ON PLAN

BOULDERS IN CLUSTERS TO BE SET AT
 VARIOUS HEIGHTS PER CITY APPROVAL

DATE: MARCH 2008

BOULDER INSTALLATION

SCALE: NONE

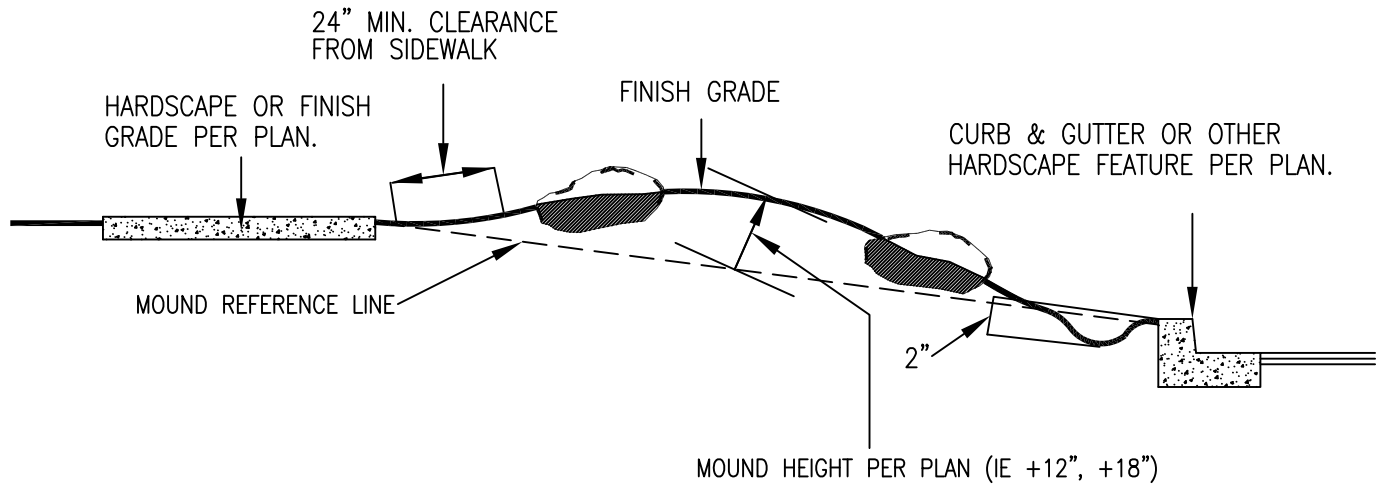
Signature on File
 LANDSCAPE MGR.

LANDSCAPE DIVISION

CITY OF PALM DESERT

PLT DRAWING NO.

005



NOTES:

MOUNDS ARE PER DIAGRAM

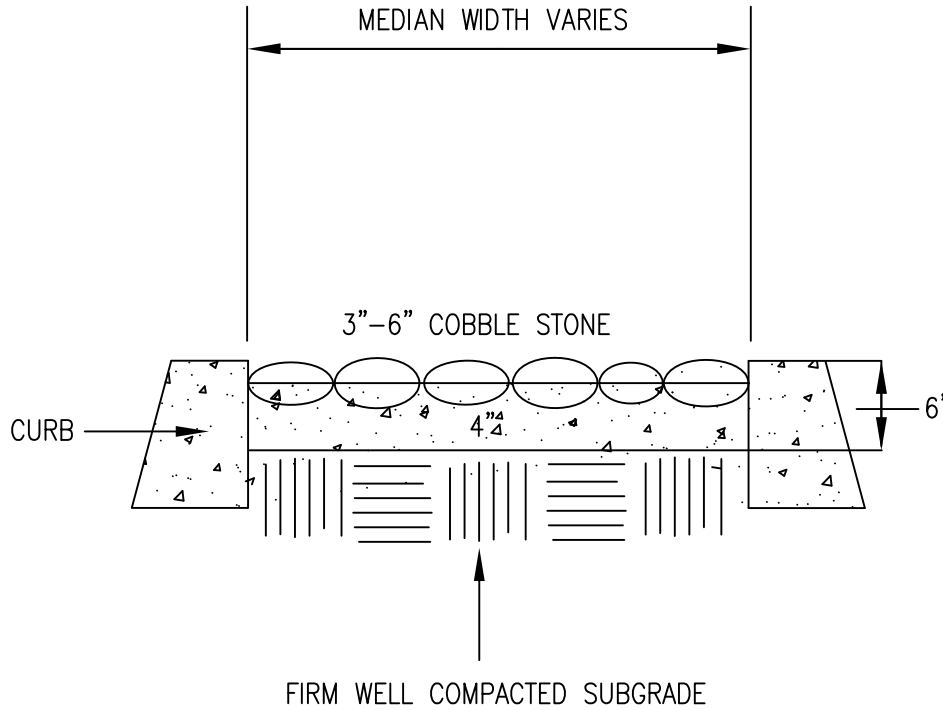
MOUND SHAPES DO NOT REPRESENT ACTUAL CONTOURS

GRADE TO ACTUAL SITE CONDITIONS
OR REFER TO LANDSCAPE PLANS

GIVE PRIORITY TO DRAINAGE OF
PLANTED AREAS.

2" FROM TOP OF CURB OR AS NOTED ON PLAN

DATE: <u>MARCH 2008</u>	MOUNDING DETAIL	SCALE: <u>NONE</u>
Signature on File LANDSCAPE MGR.		LANDSCAPE DIVISION CITY OF PALM DESERT

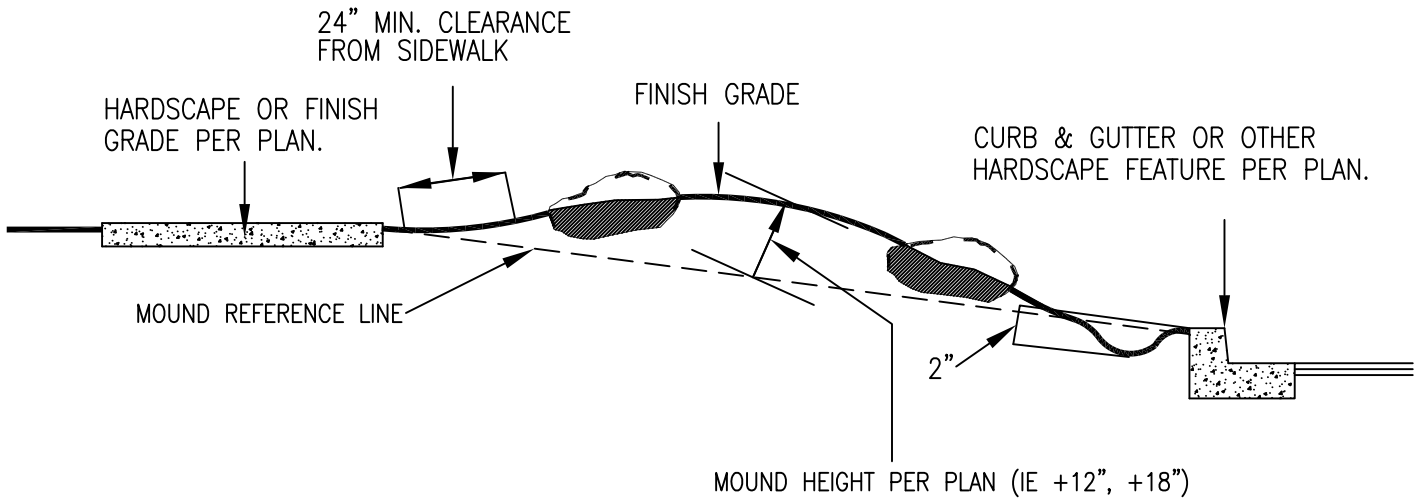
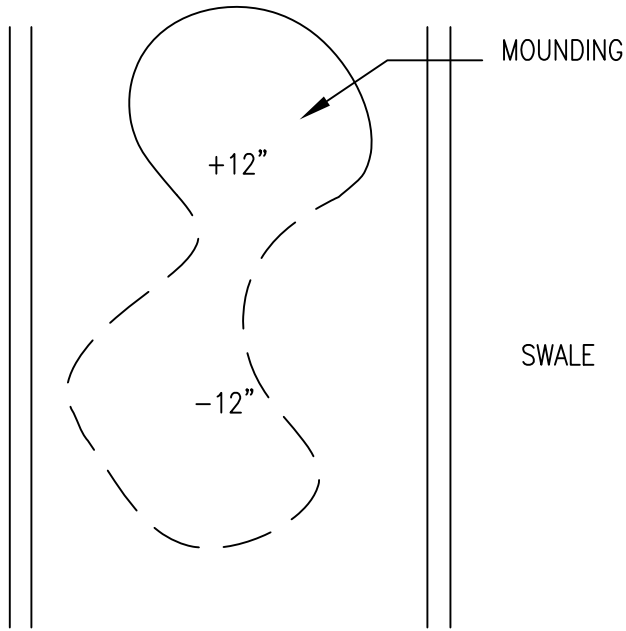


NOTES:

SET COBBLE IN 4" THICK CONCRETE
 MAINTAIN 1/2" SPACE BETWEEN
 ROCKS. GROUT ALL JOINTS, REMOVE EXCESS
 CONCRETE IN JOINTS. TROWEL TO 1/2" DEEP
 BETWEEN JOINTS.

CONCRETE MIX TO BE:
 6 SACK WITH PEAGRAVEL/SAND SLURRY MIX
 COBBLE STONE PATTERN RANDOM PLACED WITH
 FLAT SIDE UP

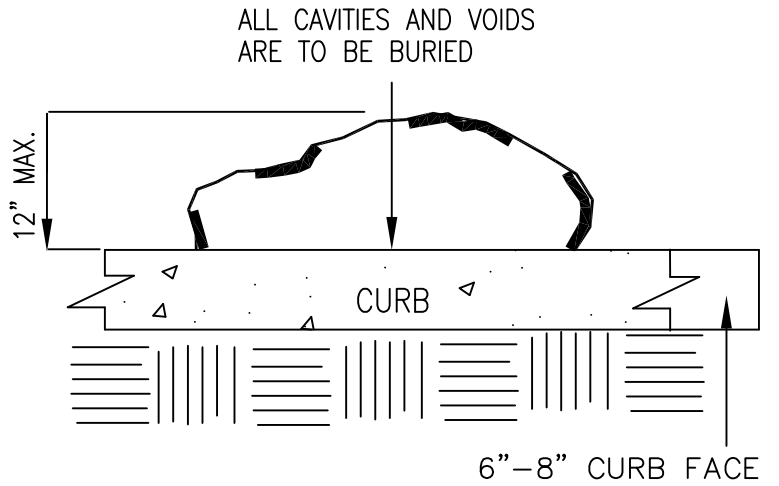
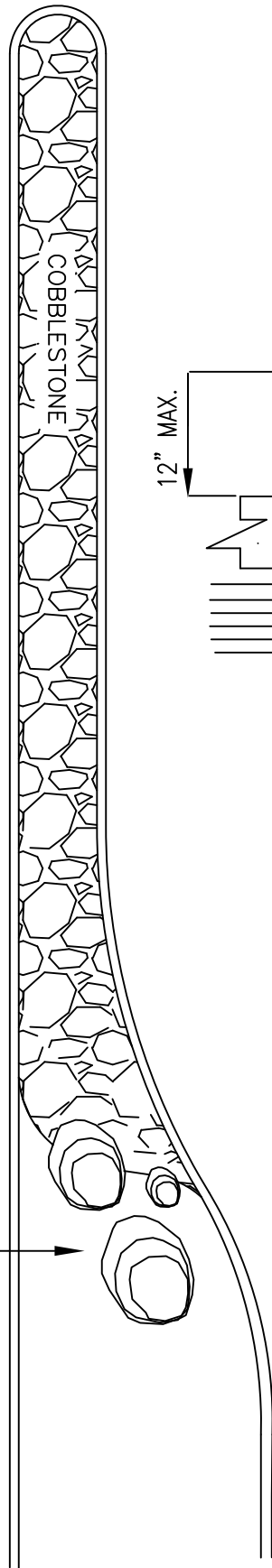
DATE: <u>MARCH 2008</u>	COBBLESTONE MEDIAN DETAIL	SCALE: <u>NONE</u>
Signature on File <u>LANDSCAPE MGR.</u>		PLT DRAWING NO. <u>007</u>
LANDSCAPE DIVISION		CITY OF PALM DESERT



NOTES:

- MOUNDS ARE PER DIAGRAM
- MOUND SHAPES DO NOT REPRESENT ACTUAL CONTOURS
- GRADE TO ACTUAL SITE CONDITIONS
- GIVE PRIORITY TO DRAINAGE OF PLANTED AREAS.
- 2" FROM TOP OF CURB OR AS NOTED ON PLAN

DATE: <u>MARCH 2008</u>	<h1 style="margin: 0;">MEDIAN GRADING DETAIL</h1>	SCALE: <u>NONE</u>
<u>Signature on File</u> LANDSCAPE MGR.		LANDSCAPE DIVISION CITY OF PALM DESERT



NOTES:

EDGE OF COBBLE STONE LAYOUT TO BE FREEFORM DO NOT FORM A SMOOTH EDGE

BOULDERS TO BE PLACED AT EDGE OF COBBLE STONE LAYOUT PER PLAN

BOULDER PLACEMENT 24" AWAY FROM BACK OF CURB NOT TO EXCEED 12" FROM TOP OF CURB

DATE: MARCH 2008

BOULDER PLACEMENT (MEDIAN)

SCALE: NONE

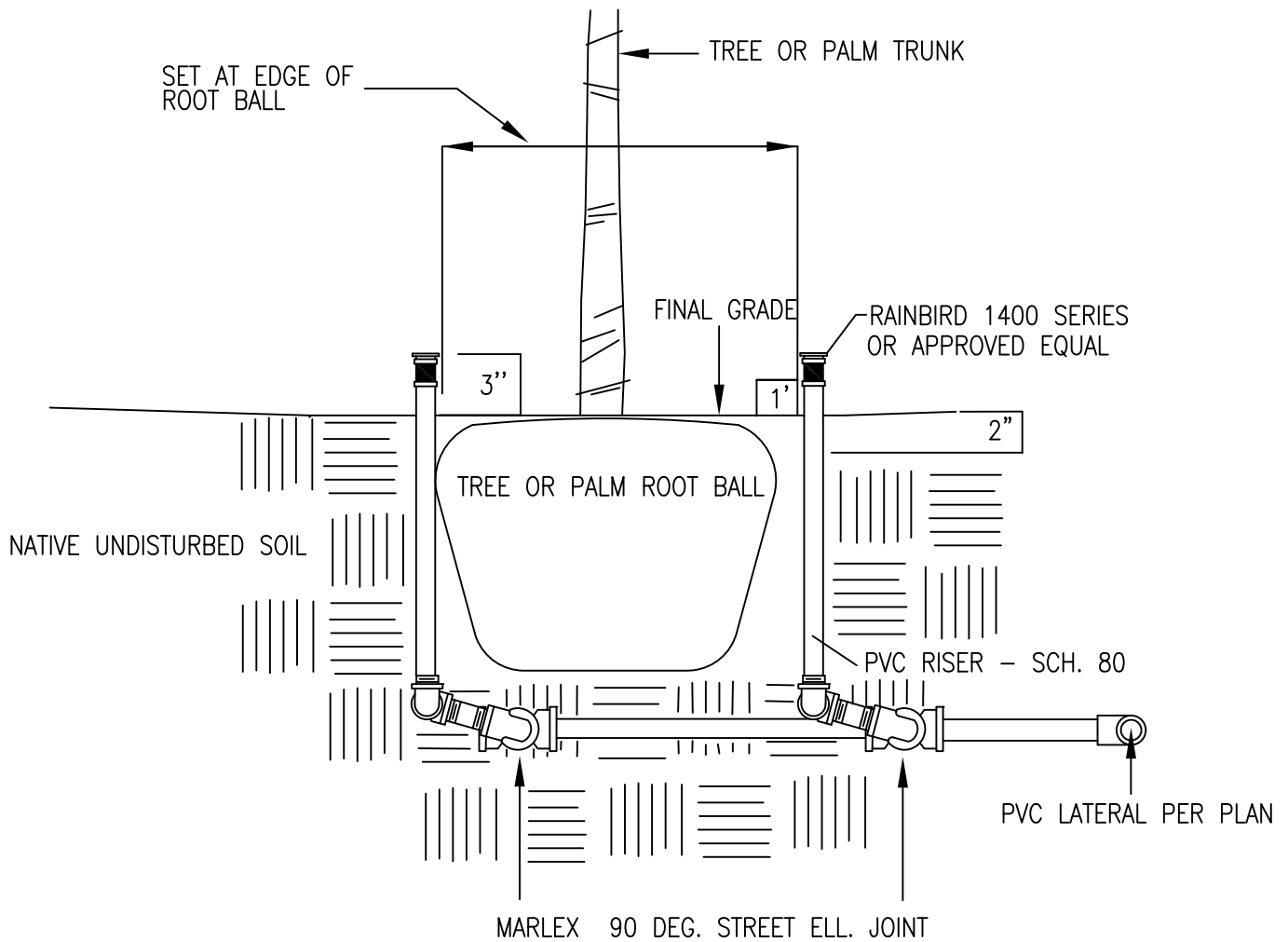
Signature on File
LANDSCAPE MGR.

LANDSCAPE DIVISION

CITY OF PALM DESERT

PLT DRAWING NO.

009



NOTES:

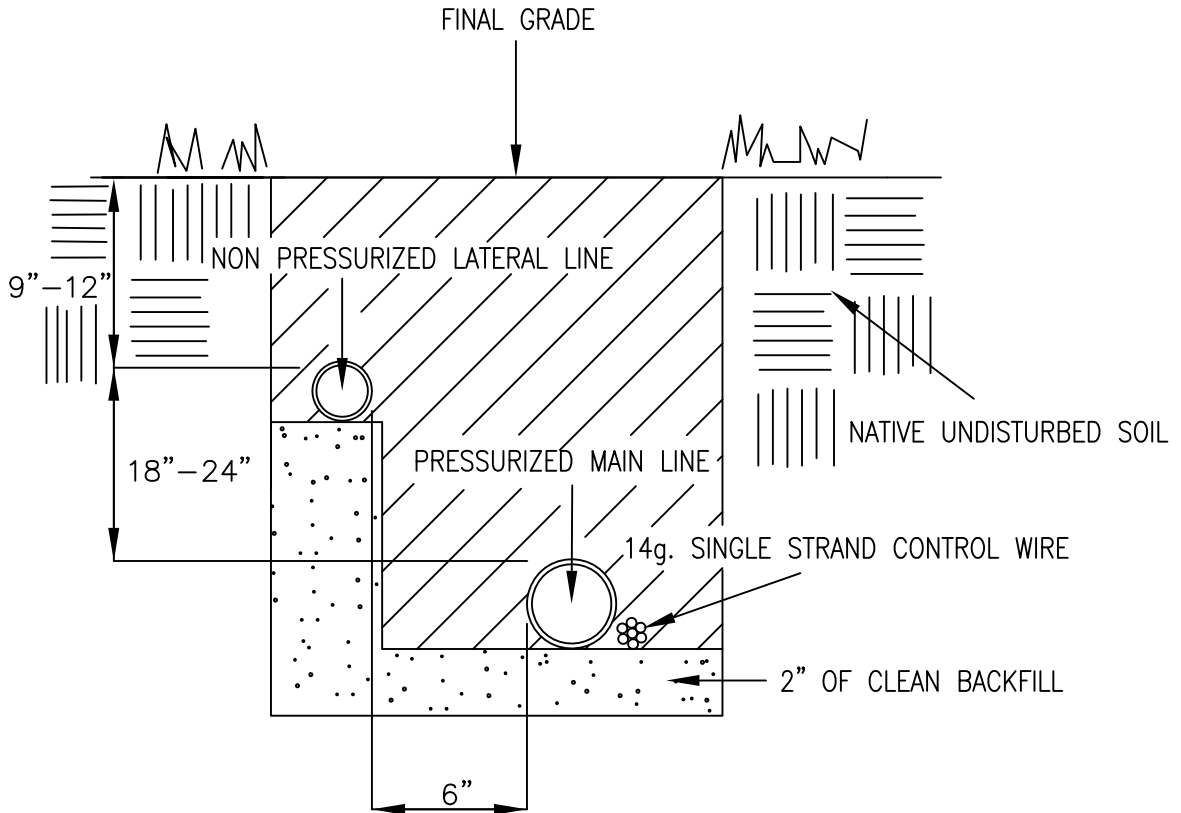
SET BUBBLER MINIMUM 12" AWAY FROM ROOT BALL

SET PALM/TREE ON NATIVE UNDISTURBED SOIL

PROVIDE MINIMUM 2" DEPTH OF CLEAN BACKFILL UNDER IRRIGATION PIPES

TREE PIT PER PLANTING DETAILS.

DATE: <u>MARCH 2008</u>	PALM/TREE IRRIGATION DETAIL	SCALE: <u>NONE</u>
Signature on File LANDSCAPE MGR.		LANDSCAPE DIVISION CITY OF PALM DESERT



NOTES:

TAPE AND BUNDLE 14g. SINGLE STRAND CONTROL WIRE EVERY 10' FT.
 INSTALL ADJACENT TO PRESSURIZED MAIN LINE

COIL 24" OF WIRE IN ALL CORNERS

SEE IRRIGATION SPECS. FOR BACKFILL AND COMPACTION REQUIREMENTS

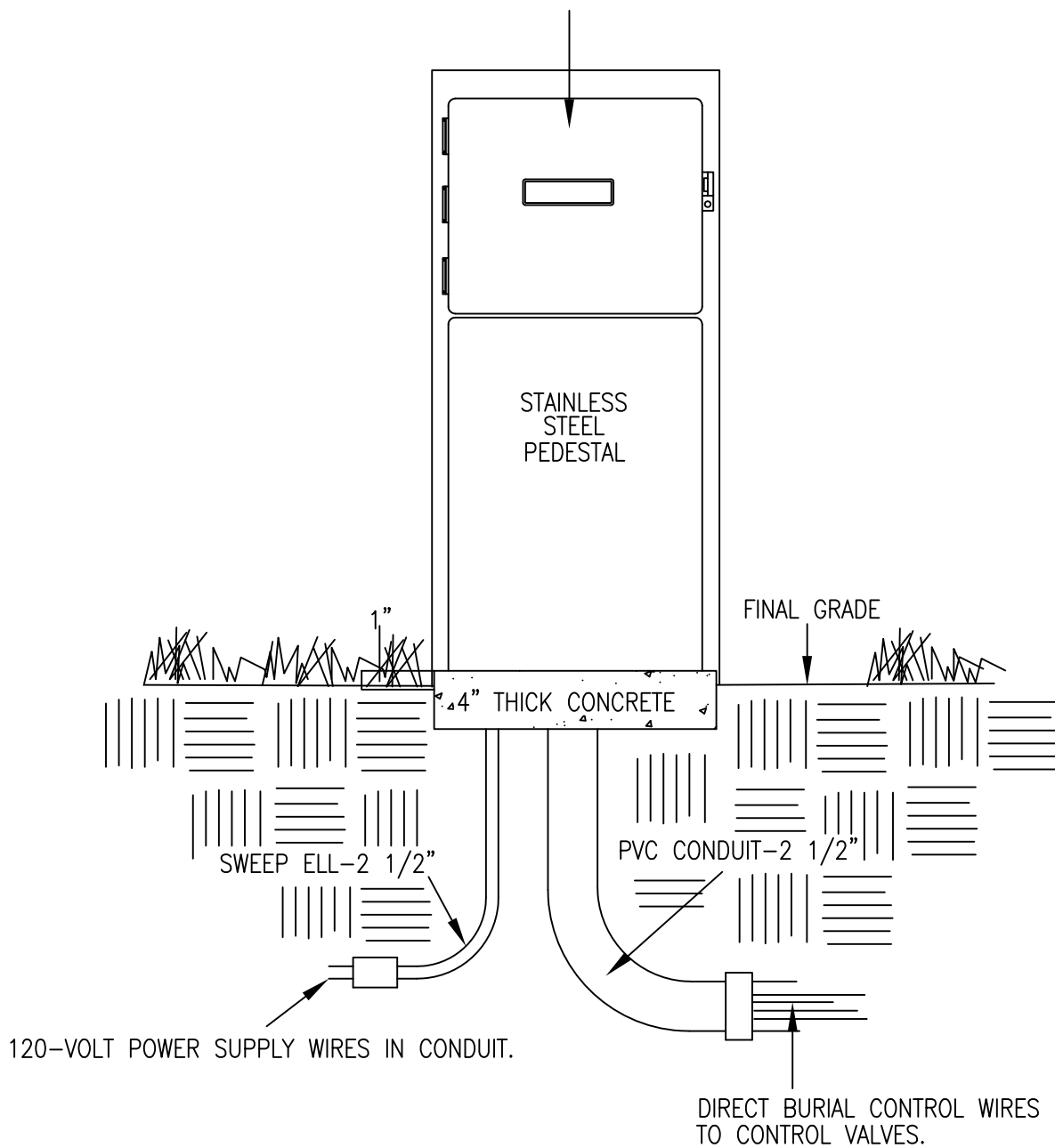
MINIMUM BACKFILL DEPTHS FROM FINAL GRADE TO TOP OF MAINLINE
 18" FOR PIPE SIZES 2 1/2" AND SMALLER
 24" FOR PIPE SIZES 3" AND LARGER

PROVIDE MINIMUM 2" DEPTH OF CLEAN BACKFILL UNDER IRRIGATION PIPES

NO ELECTRICAL CONDUIT TO BE PLACED IN IRRIGATION TRENCH

DATE: <u>MARCH 2008</u>	TRENCHING DETAIL	SCALE: <u>NONE</u>
Signature on File <u>LANDSCAPE MGR.</u>		STD DRAWING NO. <u>011</u>
LANDSCAPE DIVISION		CITY OF PALM DESERT

AUTOMATIC CONTROLLER
INSIDE ENCLOSURE



NOTES:

POUR A 4" THICK CONCRETE PAD
PER CITY STANDARD 560-C-2800

ENCLOSURE TO BE TAMPER PROOF AND VANDALISM RESISTANT

INSTALL ALL WIRING PER LOCAL CODE.

DATE: MARCH 2008

CONTROLLER W/ ENCLOSURE

SCALE: NONE

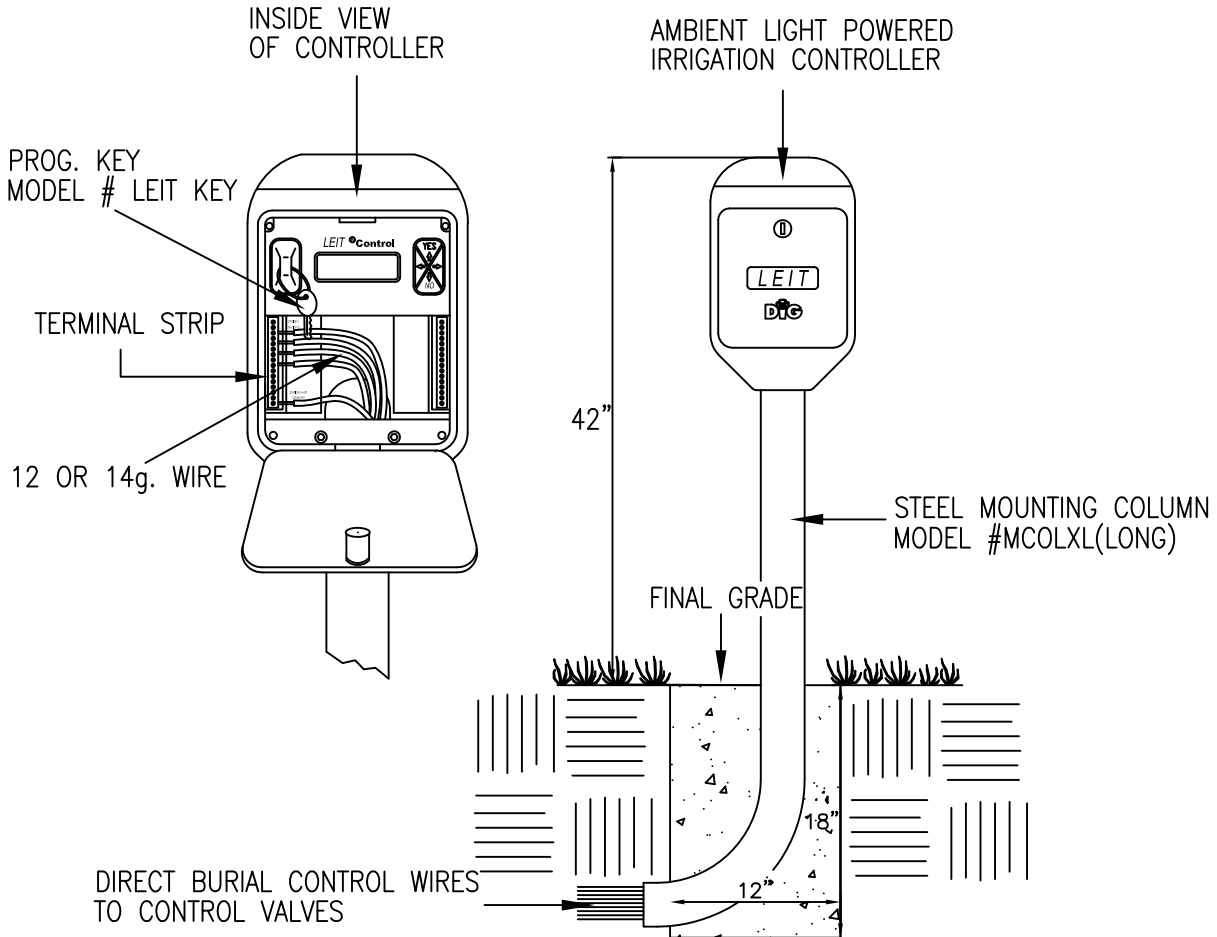
Signature on File
LANDSCAPE MGR.

LANDSCAPE DIVISION

CITY OF PALM DESERT

STD DRAWING NO.

012

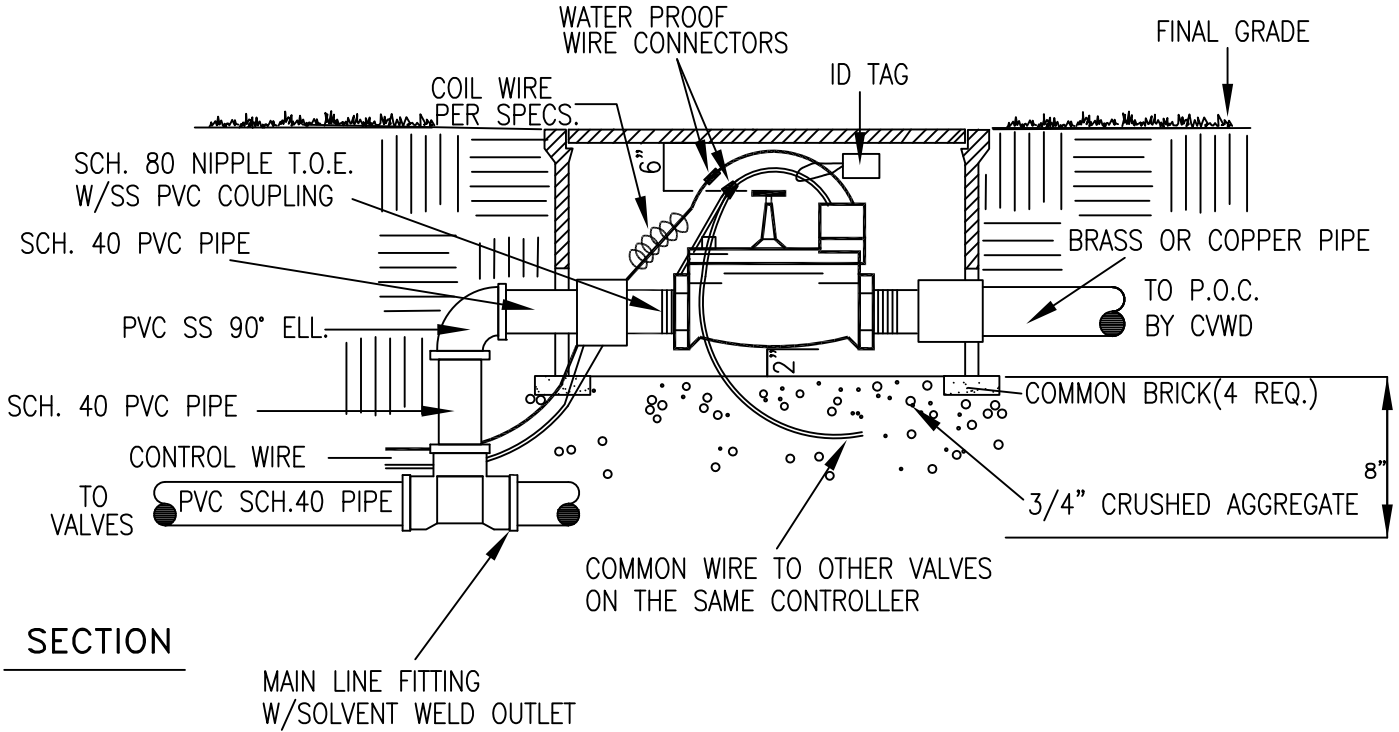


NOTES:
 POUR A 1-1/2 CU. FT. CONCRETE BASE PAD
 PER CITY STANDARD 560-C-2800
 OR MANUFACTURER'S RECOMMENDATION

DATE: <u>MARCH 2008</u>	ALL LIGHT IRRIGATION CONTROLLER	SCALE: <u>NONE</u>
Signature on File <u>LANDSCAPE MGR.</u>		STD DRAWING NO. <u>013</u>
	LANDSCAPE DIVISION	CITY OF PALM DESERT

MCV

PLAN



SECTION

NOTES:

RAIN BIRD GB SERIES ELEC. CONTROL VALVE
OR APPROVED EQUAL

RECTANGULAR VALVE BOX W/GREEN BOLT DOWN COVER
IN TURF AND TAN IN SHRUB BEDS

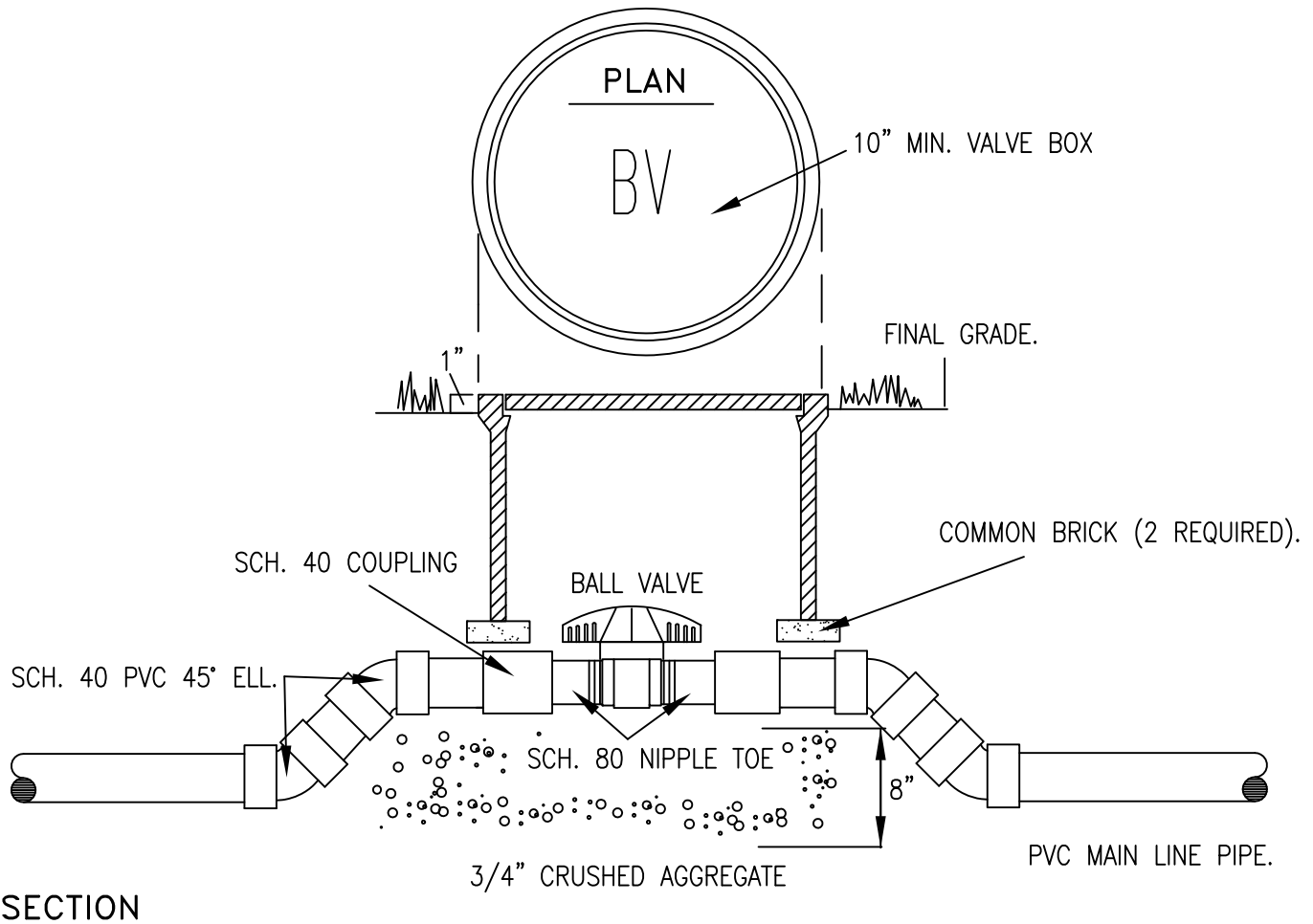
HEAT BRAND VALVE STATION NO. ON LID 2" HIGH CHARACTERS

ALL FITTINGS AND PIPE TO BE EITHER BRASS OR COPPER
FROM POINT OF CONNECTION TO CONTROL VALVE ASSEMBLY

CONTROL WIRES FROM CONTROLLER TO BE COLOR ORANGE
UNLESS OTHERWISE SPECIFIED BY THE CITY OF PALM DESERT

ALL CONNECTORS TO BE WATERPROOF

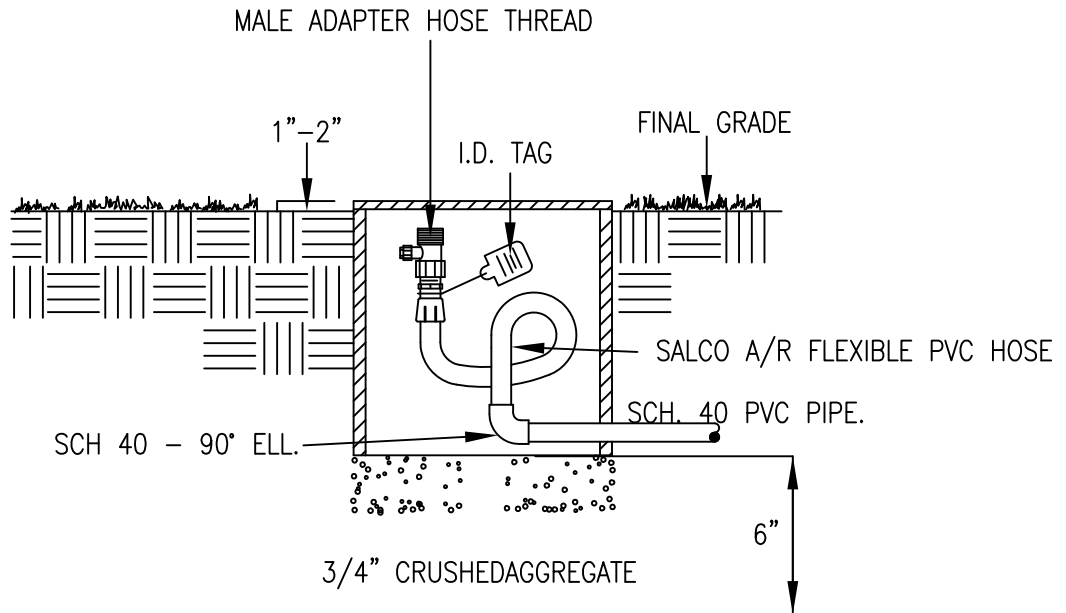
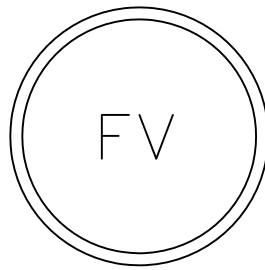
DATE: <u>MARCH 2008</u>	MASTER VALVE ASSEMBLY DETAIL	SCALE: <u>NONE</u>
Signature on File <u>LANDSCAPE MGR.</u>	LANDSCAPE DIVISION	STD DRAWING NO. 014
CITY OF PALM DESERT		



NOTES:
 VALVE BOX WITH TAN BOLT DOWN COVER -(GREEN IF IN TURF)
 HEAT BRAND "BV" ON VALVE BOX COVER IN 2" HIGH LETTERS.
 BRASS BODIED BALL VALVE FULL-PORT
 SCH. 40 PVC PIPE EXTENSION, DIA. TO ALLOW FOR MOVEMENT OF HANDLE ON VALVE LENGTH AS REQUIRED.
 SCH. 80 NIPPLE TOE W/SS PVC COUPLING

DATE: <u>MARCH 2008</u>	<h1>BALL VALVE ASSEMBLY DETAIL</h1>	SCALE: <u>NONE</u>
Signature on File <u>LANDSCAPE MGR.</u>		LANDSCAPE DIVISION CITY OF PALM DESERT

PLAN



SECTION

NOTES:

10" ROUND VALVE

BOX WITH TAN COVER OR GREEN IN TURF

HEAT BRAND "FV" ON LID
IN 2" HIGH CHARACTERS.

AG PRODUCTS 3/4"-(PLASTIC) BALL VALVE.

PVC SCH. 40 MALE ADAPTER HOSE THREAD

SALCO A/R FLEXIBLE PVC HOSE
MINIMUM 3 FOOT LENGTH (OR APPROVED EQUAL)

USE TEFLON TAPE ON ALL MALE PIPE
THREADS

DATE: MARCH 2008

END FLUSH VALVE DETAIL

SCALE: NONE

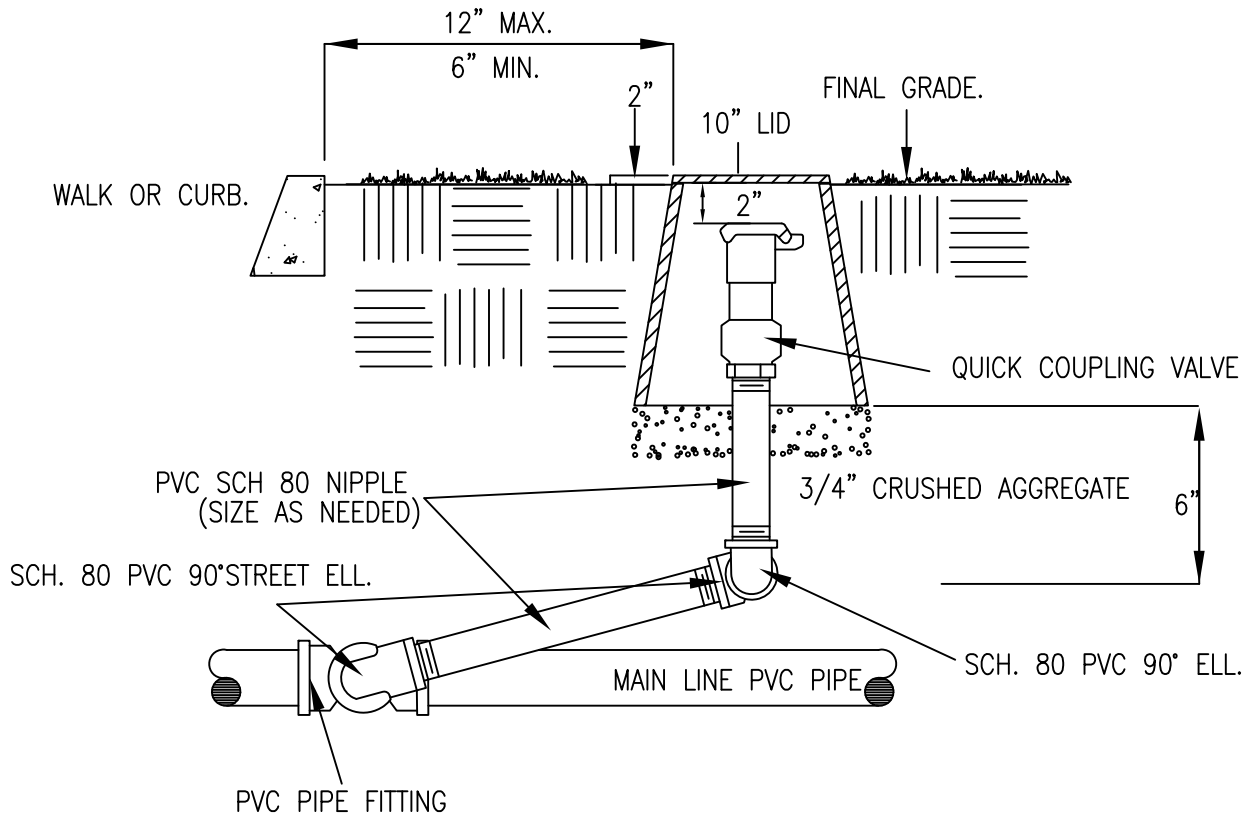
Signature on File
LANDSCAPE MGR.

LANDSCAPE DIVISION

CITY OF PALM DESERT

STD DRAWING NO.

016



NOTES:

VALVE BOX COLOR GREEN IN TURF AREAS
TAN IN DECOMPOSED GRANITE PLANTING BEDS

HEAT BRAND "QCV" ON LID IN 2" HIGH
CHARACTERS.

USE TEFLON TAPE ON ALL MALE PIPE
THREADS

DATE: MARCH 2008

QUICK COUPLING VALVE

SCALE: NONE

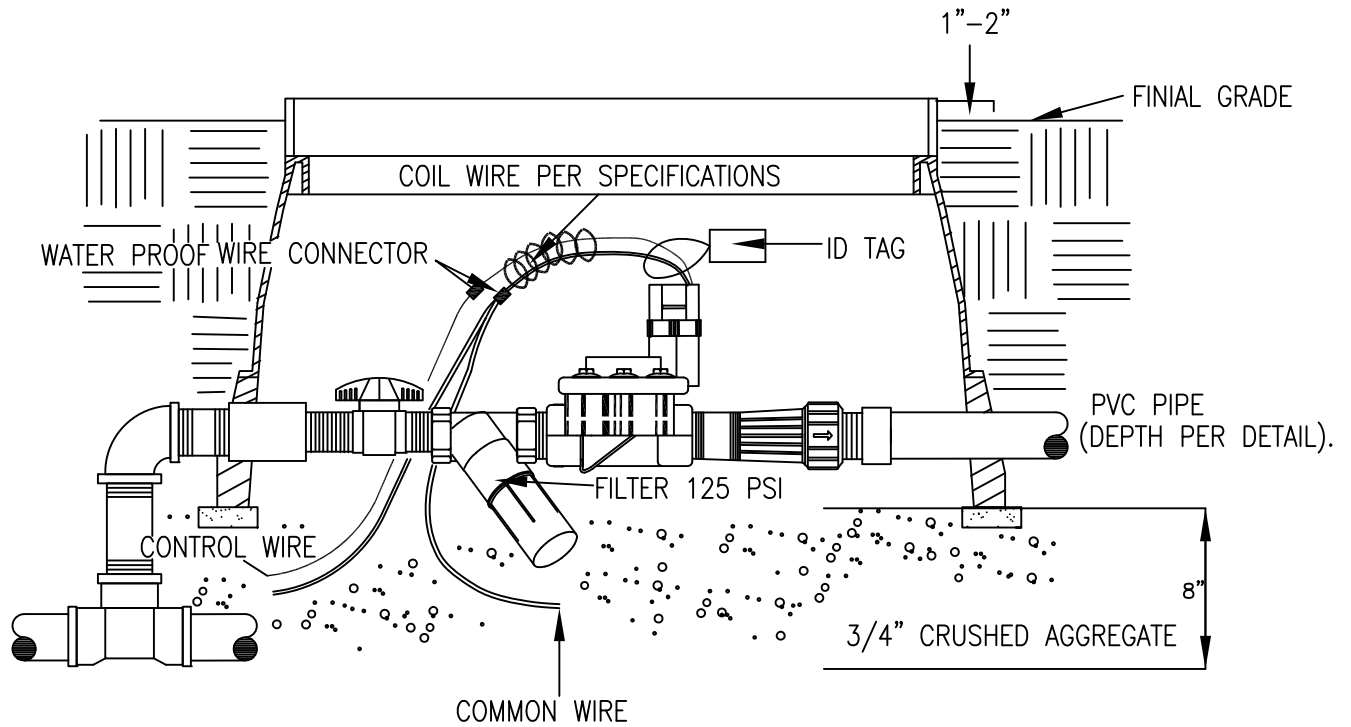
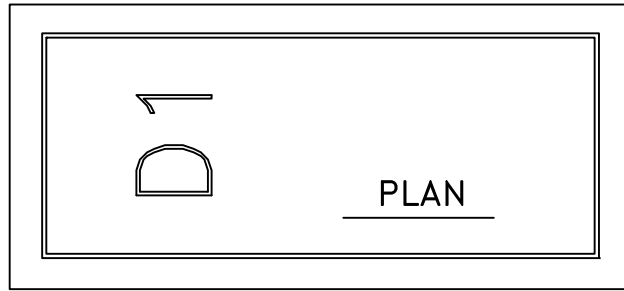
Signature on File
LANDSCAPE MGR.

LANDSCAPE DIVISION

CITY OF PALM DESERT

STD DRAWING NO.

017



SECTION

NOTES:

RECTANGULAR VALVE BOX W/GREEN BOLT DOWN COVER IN TURF AND TAN IN SHRUB BEDS

HEAT BRAND VALVE STATION
NO. ON LID IN 2" HIGH CHARACTERS

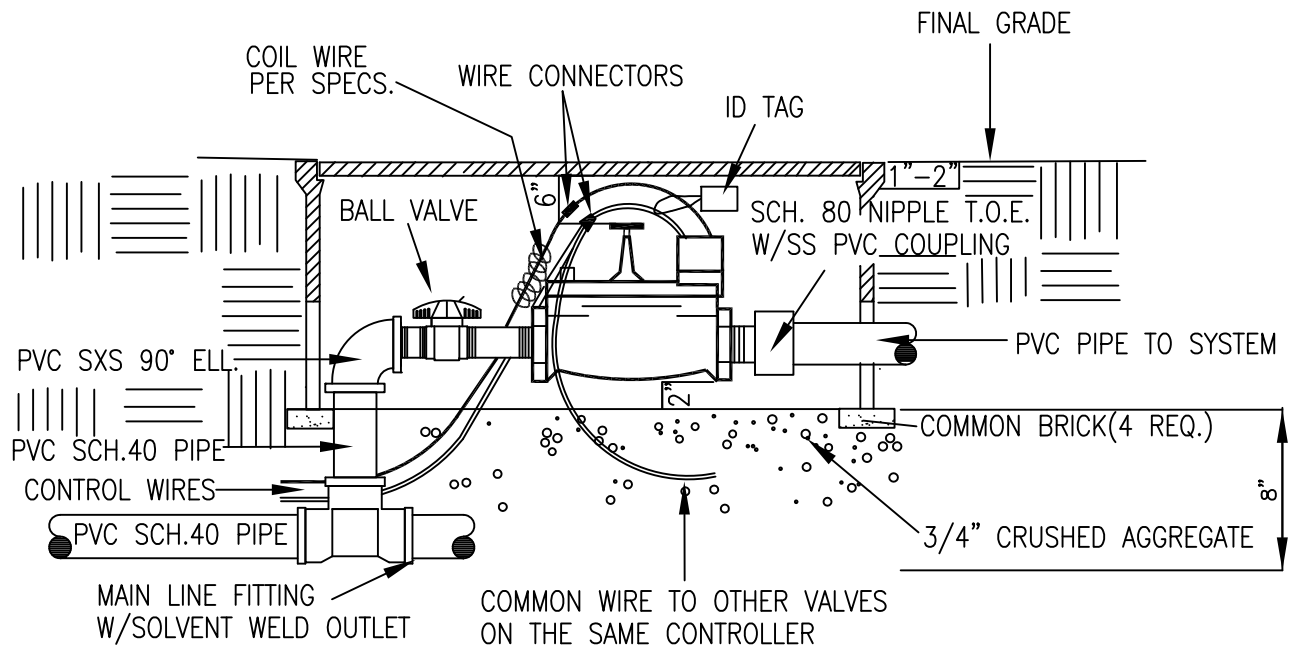
12" x 18" RECTANGULAR VALVE BOX

FILTER MUST WITHSTAND 125 PSI

IF A SPECIFIC MANUFACTURER'S ASSEMBLY IS SPECIFIED, FOLLOW THAT MANUFACTURER'S SPECIFICATIONS

(2) BRICKS FOR SUPPORT

DATE: <u>MARCH 2008</u>	ELEC. CONTROL VALVE (DRIP)	SCALE: <u>NONE</u>
Signature on File <u>LANDSCAPE MGR.</u>	LANDSCAPE DIVISION	STD DRAWING NO. 018
CITY OF PALM DESERT		



NOTES:

RAIN BIRD GB SERIES ELEC. CONTROL VALVE
OR APPROVED EQUAL

RECTANGULAR VALVE BOX W/GREEN BOLT DOWN COVER
TURF AND TAN IN SHRUB BEDS
HEAT VALVE STATION
NO. ON LID 2" HIGH CHARACTERS

ALL CONNECTORS TO BE WATERPROOF

HEAT VALVE STATION
NO. ON LID 2" HIGH CHARACTERS

FLUSH IN TURF AREAS
1"-2" IN SHRUB AREAS

ANGLE PIPE TO SPECIFIED DEPTH
W/45° ELLS.

BALL VALVE MUST BE INSIDE BOX
IF BALL VALVE OUTSIDE
IT MUST BE ENCASED IN A SEPERATE BOX

DATE: MARCH 2008

ELEC. CONTROL VALVE (TURF)

SCALE: NONE

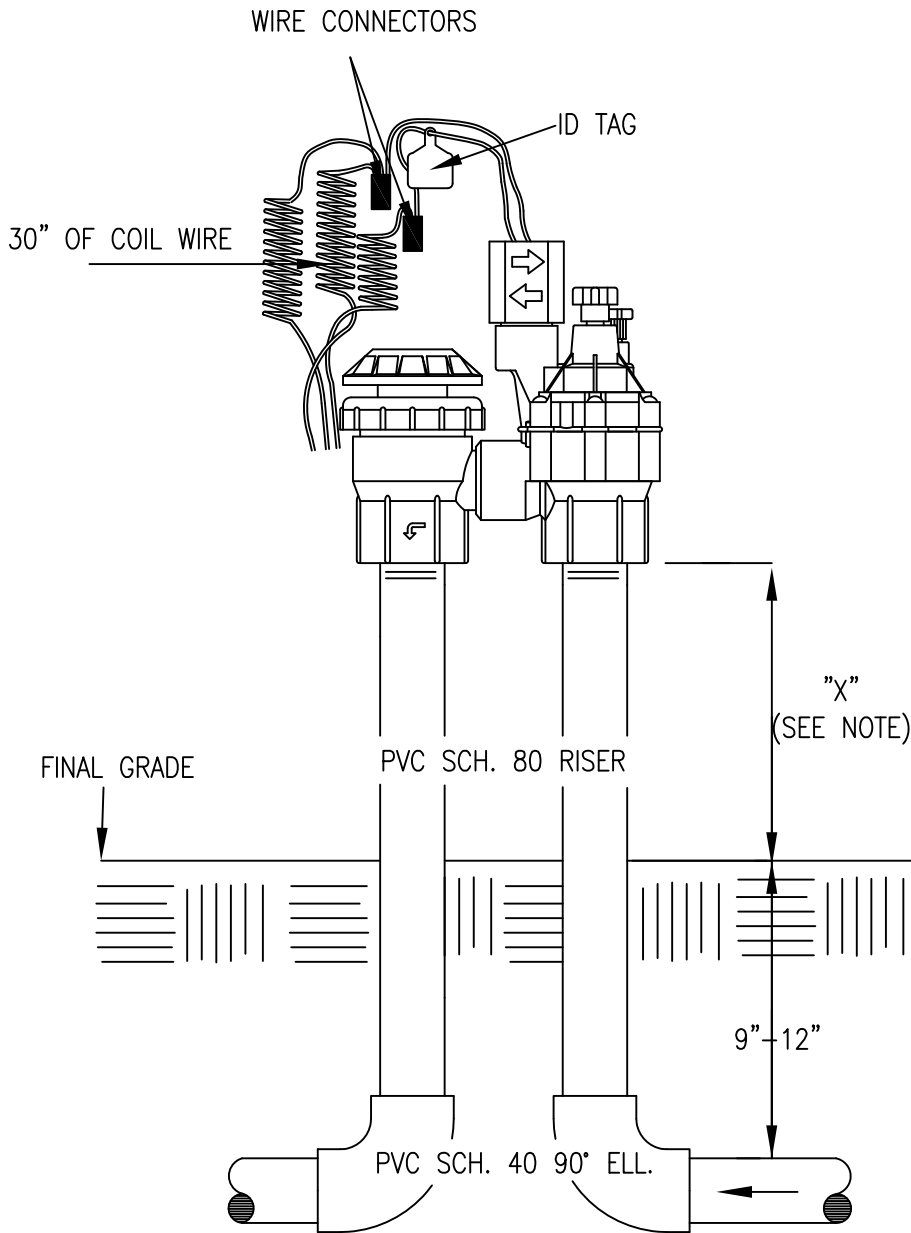
Signature on File
LANDSCAPE MGR.

LANDSCAPE DIVISION

CITY OF PALM DESERT

STD DRAWING NO.

019



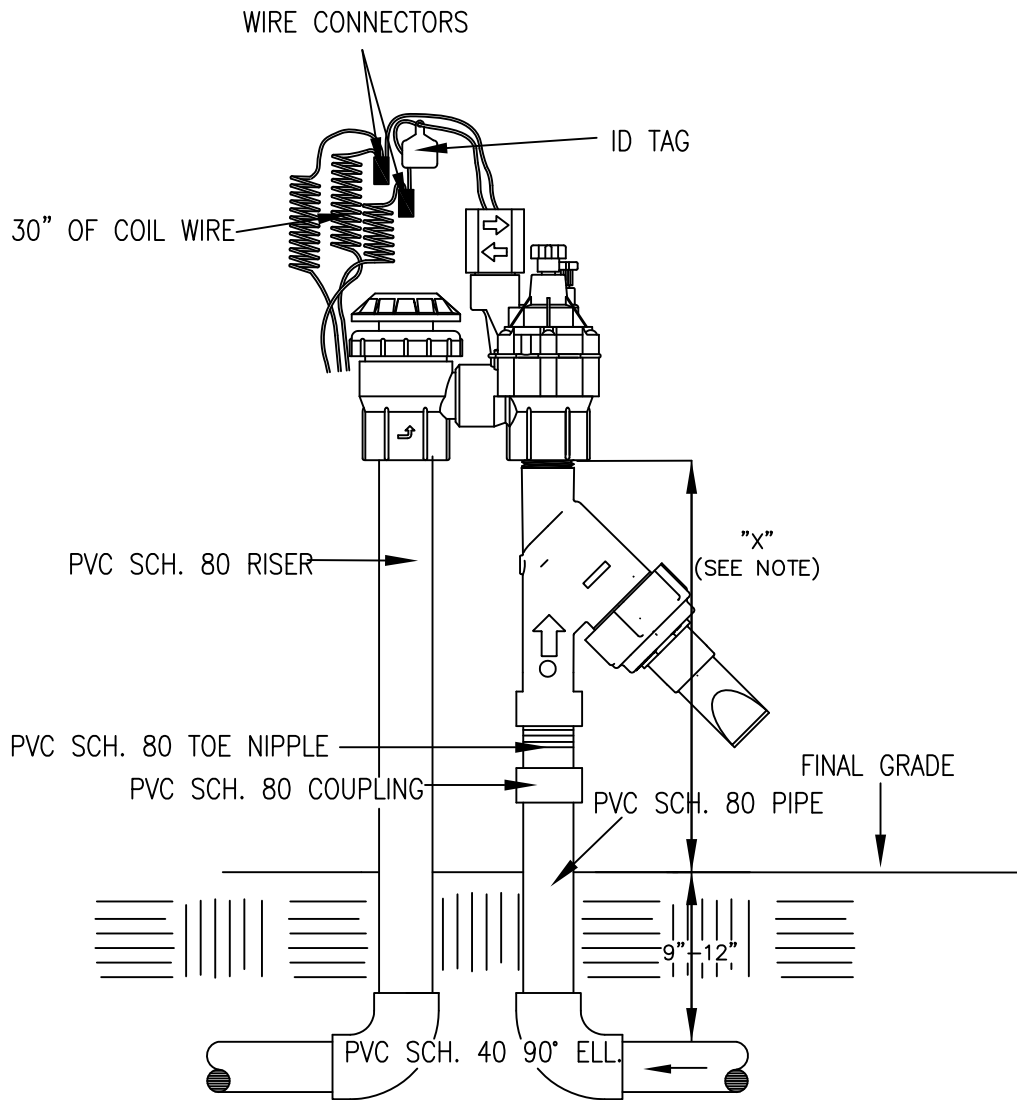
NOTES:

REMOTE CONTROL VALVE

FULL PORT BALL VALVE
MUST BE LOCATED AT
MANIFOLD IN 10" ROUND VALVE BOX

"X" = BOTTOM OF VALVE MUST BE 12'
HIGHER THAN THE HIGHEST SPRINKLER HEAD

DATE: MARCH 2008	TYPICAL ELEC. CONTROL VALVE	SCALE: NONE
Signature on File LANDSCAPE MGR.		LANDSCAPE DIVISION CITY OF PALM DESERT



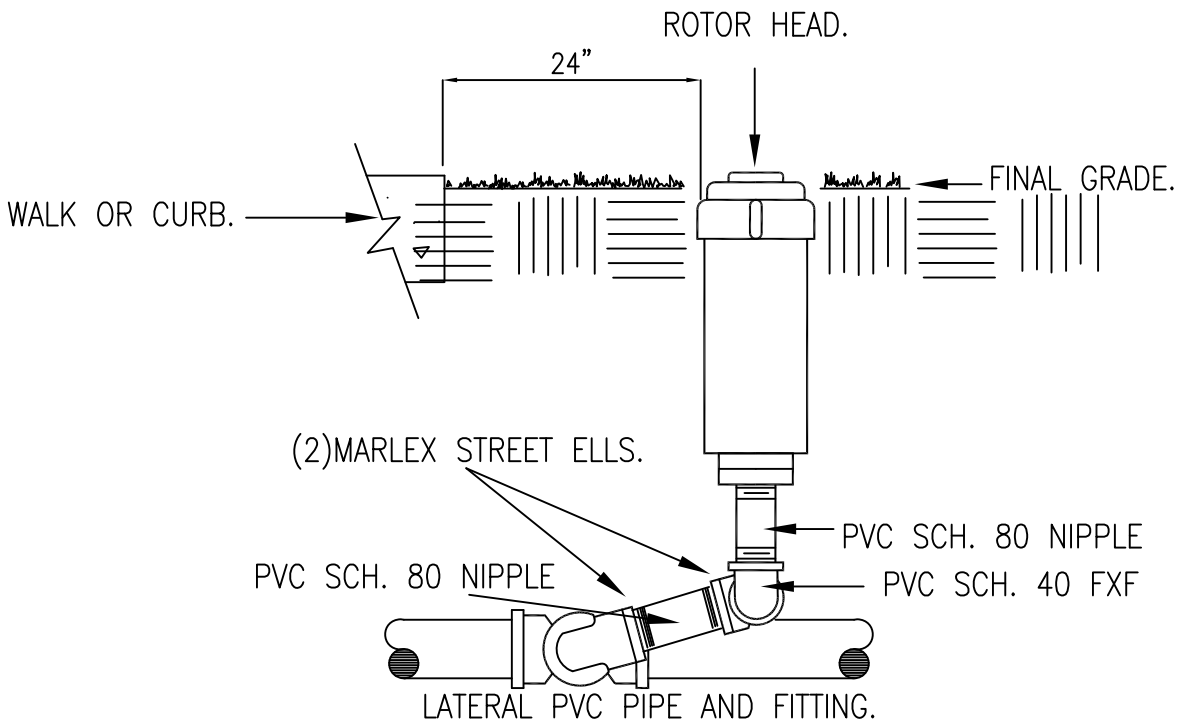
NOTES:

CONTROL ZONE KIT
 (INCLUDES LOW FLOW ANTI SIPHON VALVE)
 BACK FLUSH PRESSURE REGULATING FILTER,
 FILTER MUST WITHSTAND 125 PSI

FULL PORT BALL VALVE
 MUST BE LOCATED AT
 MANIFOLD IN 10" ROUND VALVE BOX

"X" = BOTTOM OF VALVE MUST BE 12'
 HIGHER THAN THE HIGHEST SPRINKLER HEAD

DATE: <u>MARCH 2008</u>	TYPICAL XERIGATION CONTROL VALVE	SCALE: <u>NONE</u>
Signature on File <u>LANDSCAPE MGR.</u>		LANDSCAPE DIVISION CITY OF PALM DESERT



NOTES:

SET ROTOR FLUSH WITH FINAL GRADE

PVC SCH. 80 NIPPLE
CUT TO LENGTH AS NEEDED

USE TEFLON TAPE ON ALL MALE PIPE
THREADS

DATE: MARCH 2008

ROTOR HEAD DETAIL

SCALE: NONE

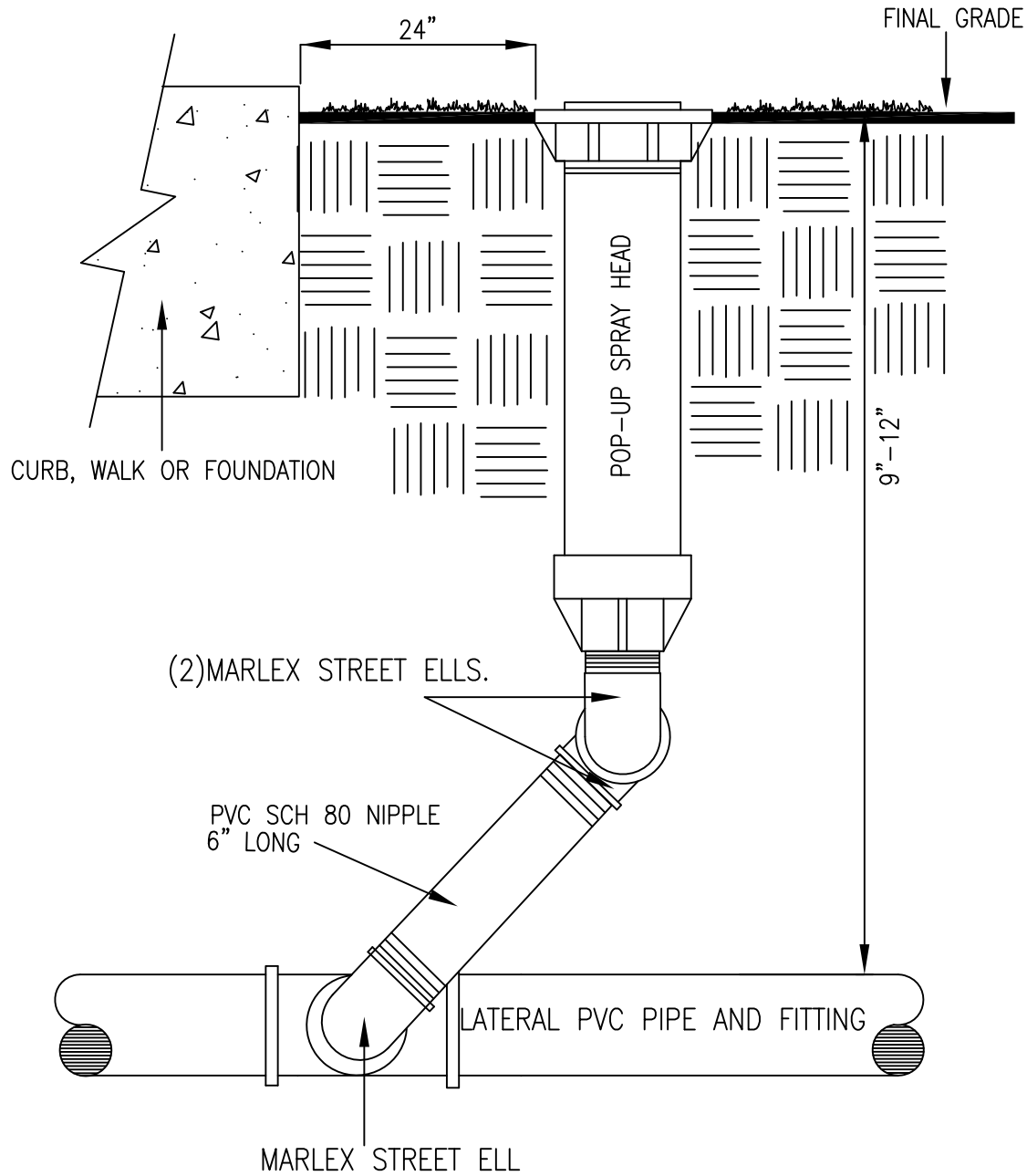
Signature on File
LANDSCAPE MGR.

LANDSCAPE DIVISION

CITY OF PALM DESERT

STD DRAWING NO.

022



NOTES:

PRE MANUFACTURED SWING JOINT
MAY BE SUBSTITUTED UPON APPROVAL
BY THE CITY OF PALM DESERT

DATE: MARCH 2008

TURF SPRAY DETAIL

SCALE: NONE

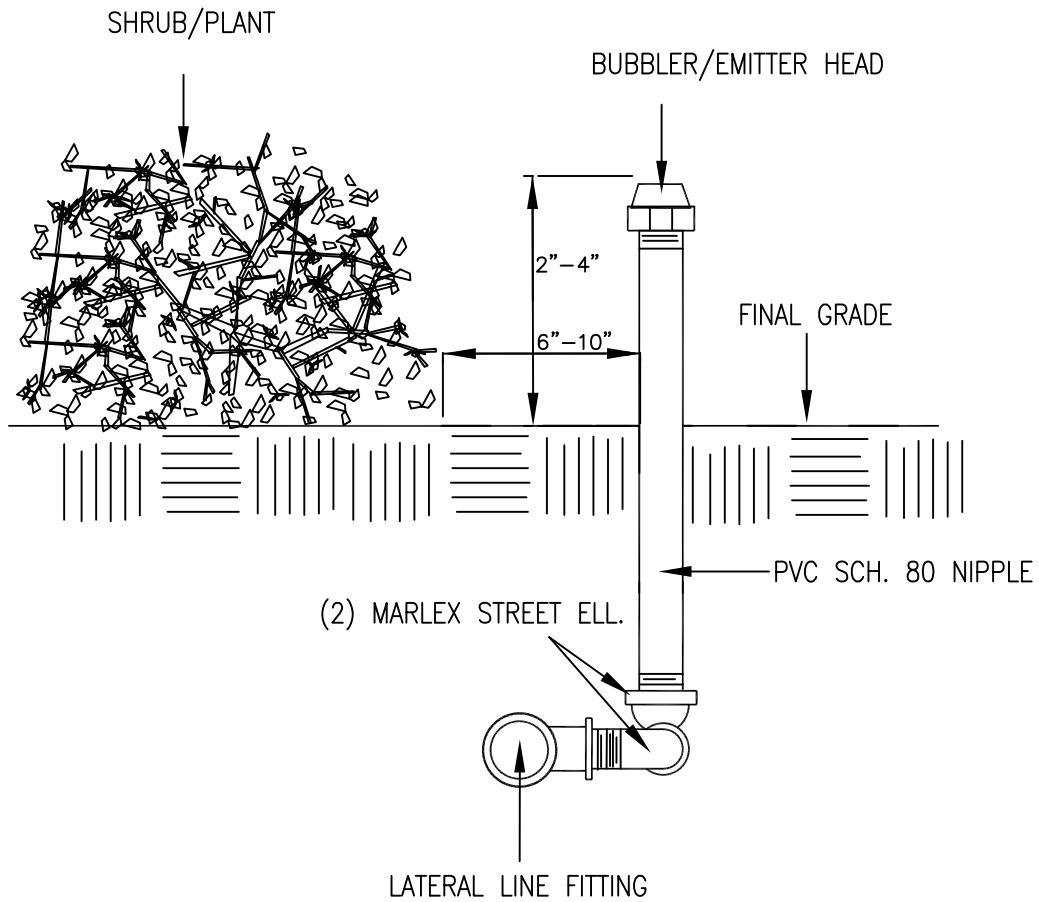
Signature on File
LANDSCAPE MGR.

LANDSCAPE DIVISION

CITY OF PALM DESERT

STD DRAWING NO.

023



NOTES:

HEADS 2" TO 4" ABOVE FINAL GRADE

EMITTER TO BE 6" TO 10" AWAY FROM
EDGE OF ROOTBALL OR PLANTS/SHRUBS
ON HIGH SIDE OF PLANT

DATE: MARCH 2008

BUBBLER/EMITTER DETAIL

SCALE: NONE

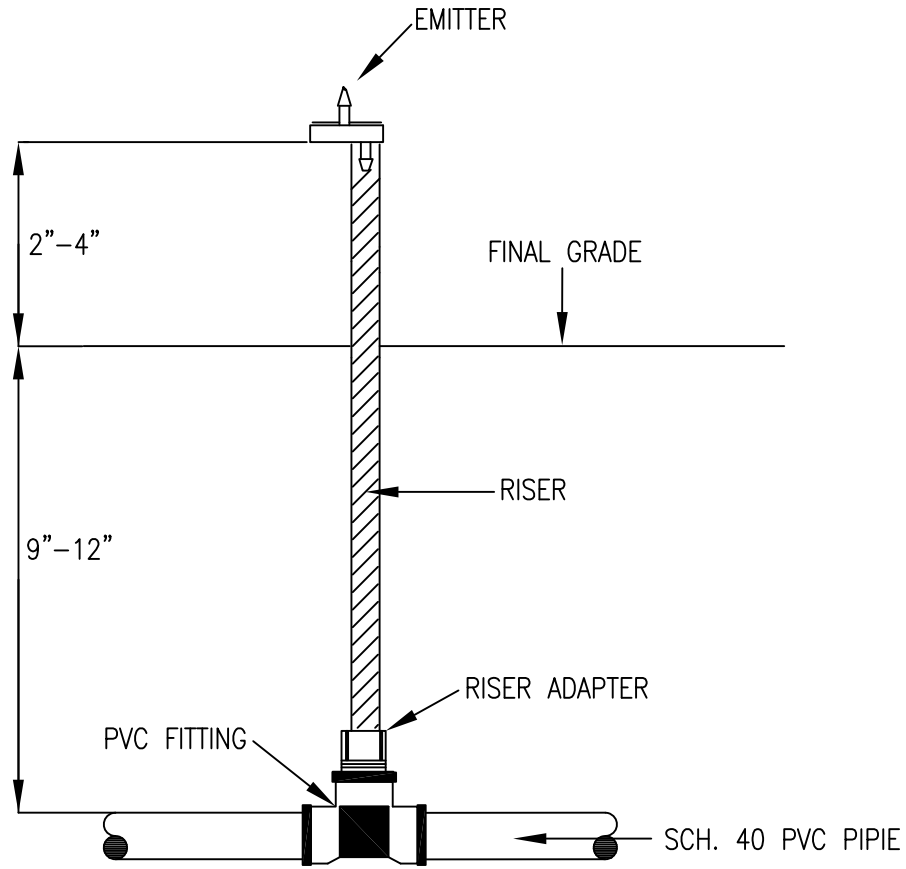
Signature on File
LANDSCAPE MGR.

LANDSCAPE DIVISION

CITY OF PALM DESERT

STD DRAWING NO.

024



NOTES:

POLY FLEX RISER 1/4"

EMITTER TO HAVE DIFFUSER CAP IF NEEDED
OR APPROVED EQUAL W/ POLY FLEX RISER ADAPTER

PVC FITTING (S X S X 1/2" FIPT.)

PVC PIPE (DEPTH PER SPECIFICATIONS)

DATE: MARCH 2008

DRIP EMITTER DETAIL

SCALE: NONE

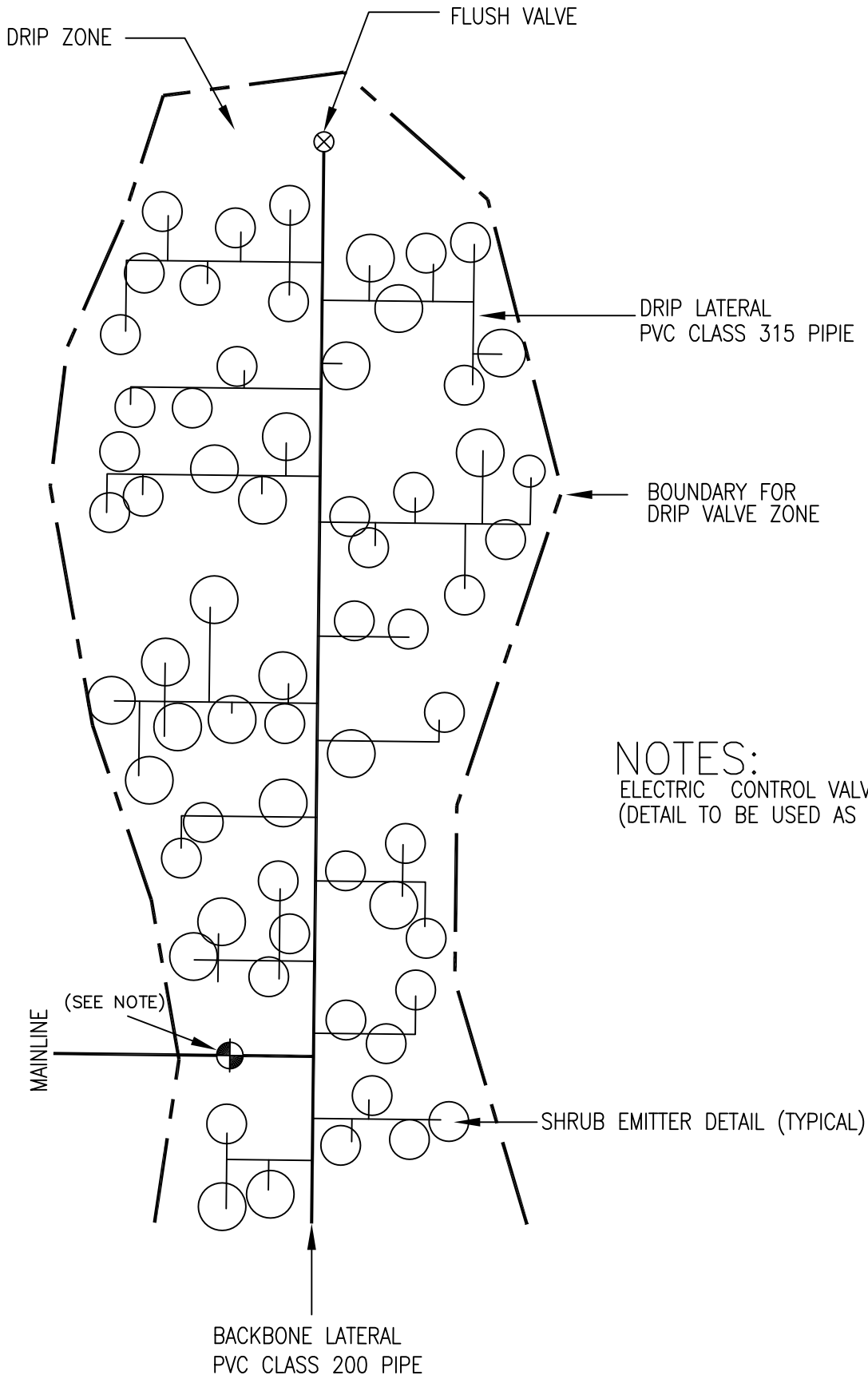
Signature on File
LANDSCAPE MGR.

LANDSCAPE DIVISION

CITY OF PALM DESERT

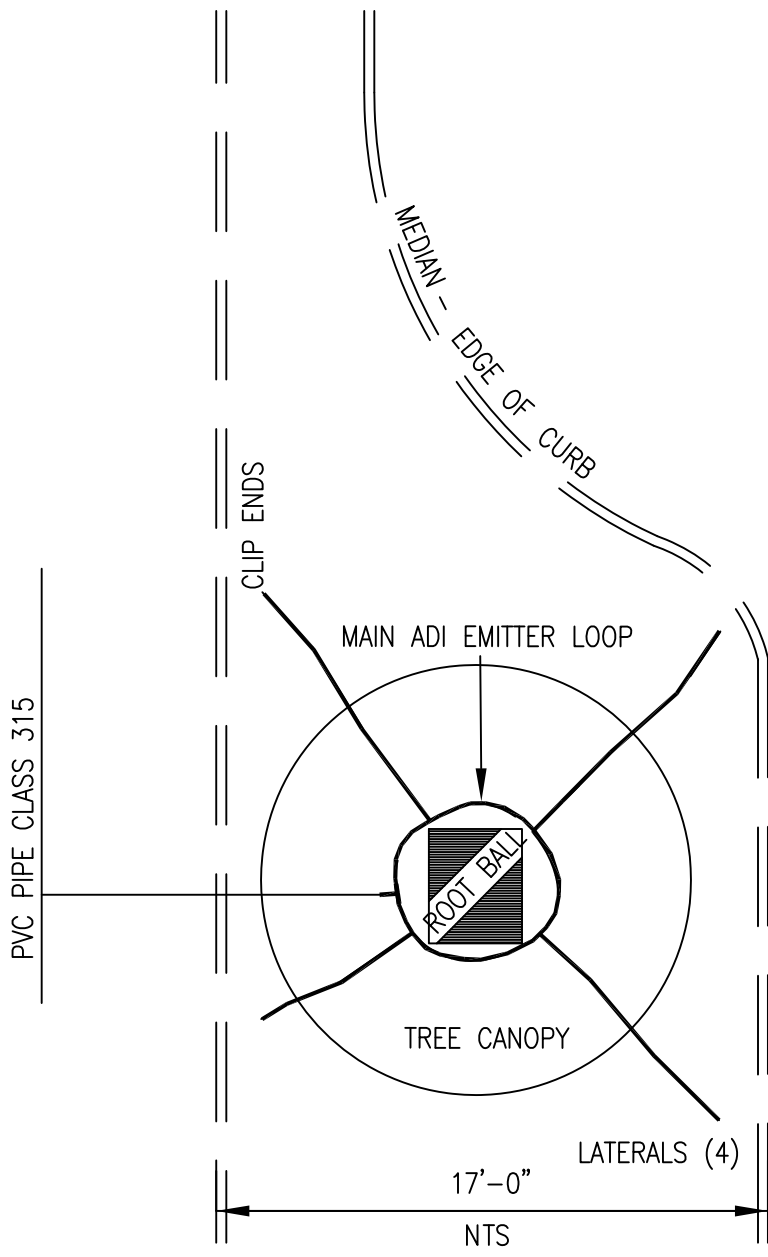
STD DRAWING NO.

025



NOTES:
 ELECTRIC CONTROL VALVE ASSEMBLY
 (DETAIL TO BE USED AS AN EXAMPLE ONLY)

DATE: <u>MARCH 2008</u>	DRIP ZONE DETAIL	SCALE: <u>NONE</u>
Signature on File <u>LANDSCAPE MGR.</u>		STD DRAWING NO. <u>026</u>
LANDSCAPE DIVISION		CITY OF PALM DESERT



NOTES:

- PRESSURE COMPENSATING INLINE EMITTER (MAIN) @ 9"o.c. (LATERAL) @ 9"o.c.
- RAIN BIRD OR APPROVED EQUAL
- LATERALS TO BE EQUALLY SPACED 10'FT. BEYOND MATURE TREE CANOPY (4) TOTAL
- CLIP ENDS AND CAP FOR FUTURE EXTENSION IF NECESSARY
- SYSTEM TO INCLUDE A FILTER AND PRESSURE REGULATOR AT THE VALVE
- FILTER TO BE A MINIMUM OF 120 MESH
- AIR/VACUUM RELIEF VALVE KIT TO BE INSTALLED
- INSTALLATION OF RELIEF VALVE KIT IS TO BE BELOW 50:1

DATE: <u>MARCH 2008</u>	<h1>TREE EMITTER</h1>	SCALE: <u>NONE</u>
Signature on File <u>LANDSCAPE MGR.</u>	LANDSCAPE DIVISION	STD DRAWING NO. 027
	CITY OF PALM DESERT	